



# JUICEMASTER II

MODEL 890 & 893  
TWO & THREE FLAVOR  
REFRIGERATED  
POST-MIX DISPENSER

The juice dispensers that are so versatile they obsolete all others!....



Model 890

**ANY TIME**  
...As many cold drinks  
as you need, whenever  
you need them!

**ANY PLACE**  
...No waterline available--  
No problem!!

## COMPACT

twin is only 11 1/8" wide  
triple is only 14 5/8" wide  
no side clearance required

## LOW COST

the result of a clean and simple  
value engineered design

## RUGGED

long lasting "Rust Free" professional  
looking stainless steel construction

## EASY TO USE

front loading of BIB, jug packs  
or stainless steel concentrate wells

## ATTRACTIVE

eye-catching full color lit merchandising  
panel to stimulate impulse drink sales

## REMOVABLE CONDENSER FILTER

removable/cleanable bottom located filter,  
eliminates messy cleaning of condensing unit

## ULTIMATE VERSATILITY

programmable micro processor base control makes  
installation quick & easy plus provides a variety of  
set up options to choose from

## EASY TO CLEAN

since no pump parts contact the concentrate, good daily  
sanitation is easily maintained with the automatic flushing

## RELIABLE

state-of-the-art electronic control system  
insures cold and consistent tasting top  
quality drinks



Model 893

Producers of dependable dispensing equipment  
for the food and beverage industries.

KARMA dispensers are covered by one or more U.S. patents and applications and corresponding foreign patents and applications.



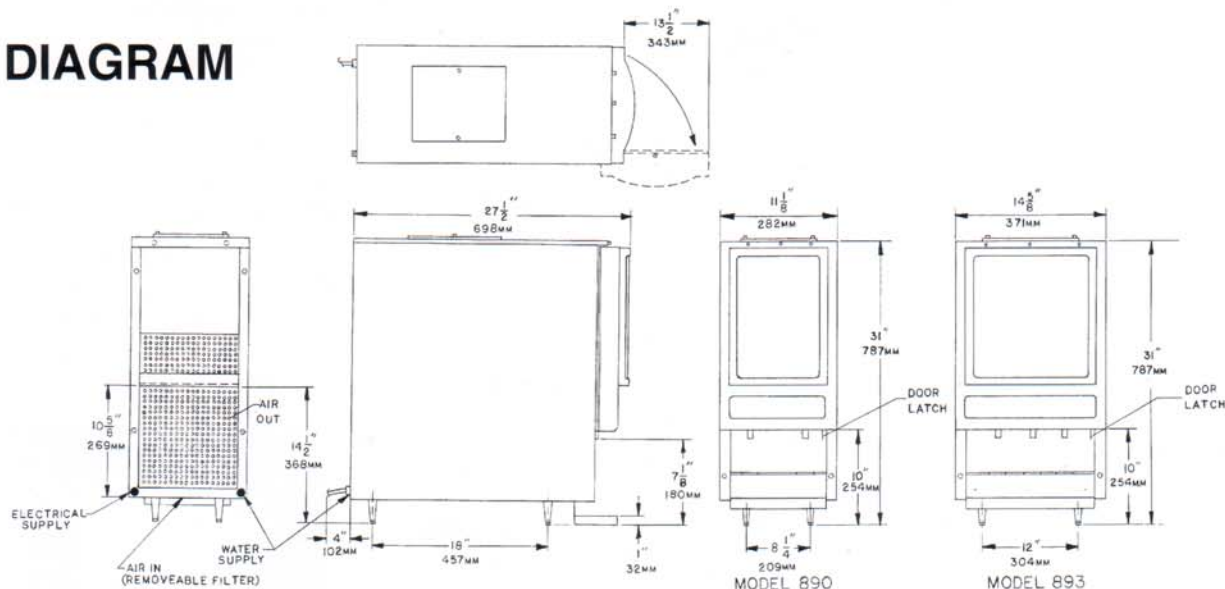
**KARMA Inc.**

P.O. Box 433  
Watertown, WI 53094 USA  
920-261-1424  
800-558-9565  
Fax 920-261-3302  
800-257-6806  
Internet Web Page  
<http://www.karma-inc.com>  
E-mail - [karma@karma-inc.com](mailto:karma@karma-inc.com)

# OTHER UNIQUE FEATURES INCLUDE.....

- **HIGH EFFICIENCY CFC** free 1/3 hp refrigeration system for the ice bank/water bath and concentrate compartment cooling.
- **STATE-OF-THE-ART** electronic control system for maintaining brix accuracy and drink temperature.
- **QUICK LOAD** sanitary positive displacement peristaltic concentrate pumps.
- **CENTRIFUGAL** water pumps.
- **HIGH VISIBILITY** full color, lit merchandising panel to stimulate impulse sales.
- **NO SIDE CLEARANCE** REQUIRED.

## DIAGRAM



## INSTALLATION SPECIFICATIONS

<b>ELECTRICAL:</b>	115v 60hz 8amp. 220/240v 50hz 4amp.
<b>WATER SUPPLY:</b>	Minimum of 10psi (.7bar) required
<b>PLUMBING:</b>	1/4" flared flexible waterline
<b>DIMENSIONS:</b>	M890: 11-1/8"W x 27-1/2"D x 31"H (282 x 698 x 787 mm) M893: 14-5/8"W x 27-1/2"D x 31"H (371 x 698 x 787 mm)
<b>COUNTER SPACE:</b>	M890: 11-1/8"W x 31-1/2"D (282 x 800 mm) M893: 14-5/8"W x 31-1/2"D (371 x 800 mm)
<b>OPERATING WT.:</b>	M890: 149 lbs. M893: 171 lbs.
<b>NET WT.:</b>	M890: 117 lbs. M893: 130 lbs.

## OPERATIONAL SPECIFICATIONS:

<b>CONCENTRATE CAPACITY:</b>	Up to 5 liter jug packs or BIB or stainless steel wells. Drink yields of up to 138 five oz. servings per flavor with 5 liter wells.
<b>MIXTURE RATIO:</b>	From 3 + 1 to 9 + 1 (adjustable water and concentrate controls)
<b>DRINK BURST:</b>	70 five oz. servings in a row at 43°F (6°C) ± 2°F at water and room temp of 70°F (21°C)
<b>NORMAL DISPENSING:</b>	3 five oz. servings per minute continuously at 41°F (5°C) ± 1°F at water and room temp. of 70°F (21°C)

## SHIPPING SPECIFICATIONS

<b>CARTON DIMENSIONS:</b>	M890: 14"W x 30"D x 30"H (356 x 762 x 762 mm) M893: 17-1/2"W x 30"D x 30"H (444 x 762 x 762 mm)
<b>SHIPPING WT.:</b>	M890: 123 lbs. M893: 136 lbs.



P.O. Box 433  
Watertown, WI 53094 USA  
920-261-1424  
800-558-9565  
Fax 920-261-3302  
800-257-6806  
Internet Web Page  
<http://www.karma-inc.com>  
E-mail - [karma@karma-inc.com](mailto:karma@karma-inc.com)

For over a quarter of a century, KARMA has been the leader in the development and pioneering of unique food and beverage equipment. The JUICEMASTER II is another example of this strong KARMA tradition.